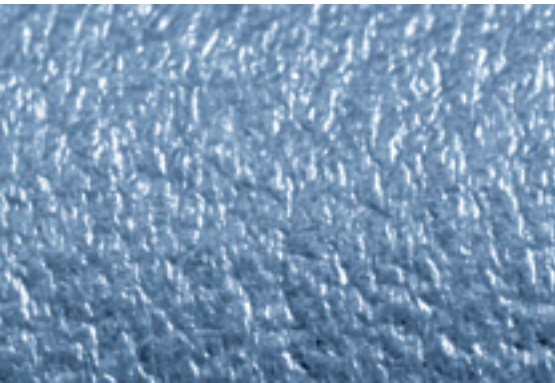


NOMAPACK® System



NOMAPACK® System, the efficient transport protection for sensitive goods. NOMAPACK® System provides an ideal protection against shocks and vibrations thanks to its directly extruded, specially designed L-shape with integrated holes. It can be easily transformed to obtain a packaging frame.

- Outstanding protection against shocks and vibrations
- Tailor-made, adaptable and customer-oriented solutions
- Ideal protection for sensitive goods such as High-tech or medical products

Product features

- PE-LD foam
- Density 24 kg/m³ and 34 kg/m³
- Supplied as lengths or as pieces
- Water absorption < 1 - vol.% after 40 days
- 100% recyclable



NMC reserves the right to update the product line or its technical features to the state-of-the-art technology anytime and without previous announcement. All given information is to the best of our knowledge. If you have any questions concerning technical details please contact the NMC information service. Any partial reproduction or reprint shall require our explicit approval.

For further information, please contact the respective subsidiary in your country. Visit www.nmc.eu/contact

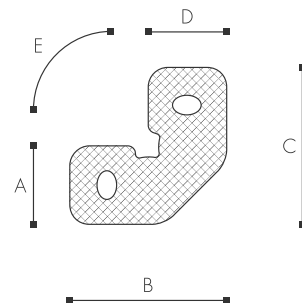
www.nmc.eu



NOMAPACK® System Density 24kg



- For light goods
- Specially suitable for sensitive surfaces
- Easy to transform
- Supplied as lengths

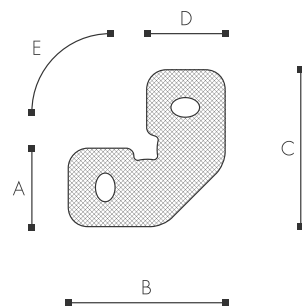


Type	A mm	B mm	C mm	D mm	E mm	Density	Length	Packaging unit	Pcs	Item code
30mm	30 $\pm 2/2$	65 $+3/3$	65 $+3/3$	30 $\pm 2/2$	93° $+3/3$	24 kg/m ³ $\pm 2/2$	2030 mm ± 30 mm	140 m/ctn	70	KPPBU30636302
40mm	40 $\pm 2/2$	85 $+3/3$	85 $+3/3$	40 $\pm 2/2$	93° $+3/3$	24 kg/m ³ $\pm 2/2$	2030 mm ± 30 mm	84 m/ctn	42	KPPBU40808007
50mm	50 $\pm 2/2$	98 $+3/3$	98 $+3/3$	50 $\pm 2/2$	93° $+3/3$	24 kg/m ³ $\pm 2/2$	2030 mm ± 30 mm	56 m/ctn	28	KPPBU50959507

NOMAPACK® System Density 34kg



- Smooth surfaces
- Specially suitable for sensitive surfaces
- Easy to transform
- The choice of the density depends on the weight of the object and the drop height

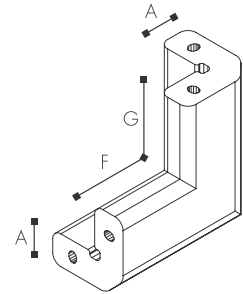


Type	A mm	B mm	C mm	D mm	E mm	Density	Length	Packaging unit	Pcs	Item code
20mm	21 $+1/1$	52 $\pm 2/2$	52 $\pm 2/2$	21 $+1/1$	90° $+3/3$	34 kg/m ³ $\pm 2/2$	2030 mm ± 30 mm	224 m/ctn	112	KPPBU20525200
30mm	30 $+1/1$	63 $\pm 2/2$	63 $\pm 2/2$	30 $+1/1$	90° $+3/3$	34 kg/m ³ $\pm 2/2$	2030 mm ± 30 mm	140 m/ctn	70	KPPBU30636300
40mm	40 $\pm 2/2$	80 $+3/3$	80 $+3/3$	40 $\pm 2/2$	93° $+3/3$	34 kg/m ³ $\pm 2/2$	2030 mm ± 30 mm	84 m/ctn	42	KPPBU40808005
50mm	50 $\pm 2/2$	97 $+3/3$	97 $+3/3$	50 $\pm 2/2$	93° $+3/3$	34 kg/m ³ $\pm 2/2$	2030 mm ± 30 mm	56 m/ctn	28	KPPBU50959500
60mm	60 $\pm 2/2$	106 $+3/3$	106 $+3/3$	60 $\pm 2/2$	93° $+3/3$	34 kg/m ³ $\pm 2/2$	2030 mm ± 30 mm	42 m/ctn	21	KPPBU60101000

NOMAPACK® System Corner



- Very high-quality protection and cushioning properties
- Prefabricated corners
- Goods directly protected by a simple placement
- Supplied as welded corners



Type	A mm	F mm	G mm	Density	Packaging unit	Pcs	Item code
30x85mm	30 $\pm 2/2$	85 $\pm 5/5$	85 $\pm 5/5$	34 kg/m ³ $\pm 3/3$	270 pcs/ctn	270	KPPBF30636301
40x85mm	40 $\pm 2/2$	85 $\pm 5/5$	85 $\pm 5/5$	34 kg/m ³ $\pm 3/3$	150 pcs/ctn	150	KPPBF40808002
50x85mm	50 $\pm 2/2$	85 $\pm 5/5$	85 $\pm 5/5$	34 kg/m ³ $\pm 3/3$	160 pcs/ctn	160	KPPBF50959503

Complementary Products

NOMAPACK® L



NOMAPACK® L - profiles are available with or without adhesive. They are the ideal protection for corners, edges and scratch-sensitive flat products. They supply protection for individual pieces or can work as protection of a whole pallet.

NOMAPACK® Pad



NOMAPACK® Pad, the little spacer with big effect. Available in different dimensions with permanent or residue-free removable adhesive. This is the ideal packaging spacer to separate or fix sensitive goods. The Pads are packed in preslit units, to allow you to separate the required lengths simply and cleanly.

NOMAPACK® WS



NOMAPACK® WS is an innovative transport protection for windscreens and glass. An inner reinforcement of the profile prevents piercing due to sharp edges and protects the product efficiently. An extensive assortment of tool accessories is available to simplify the handling.